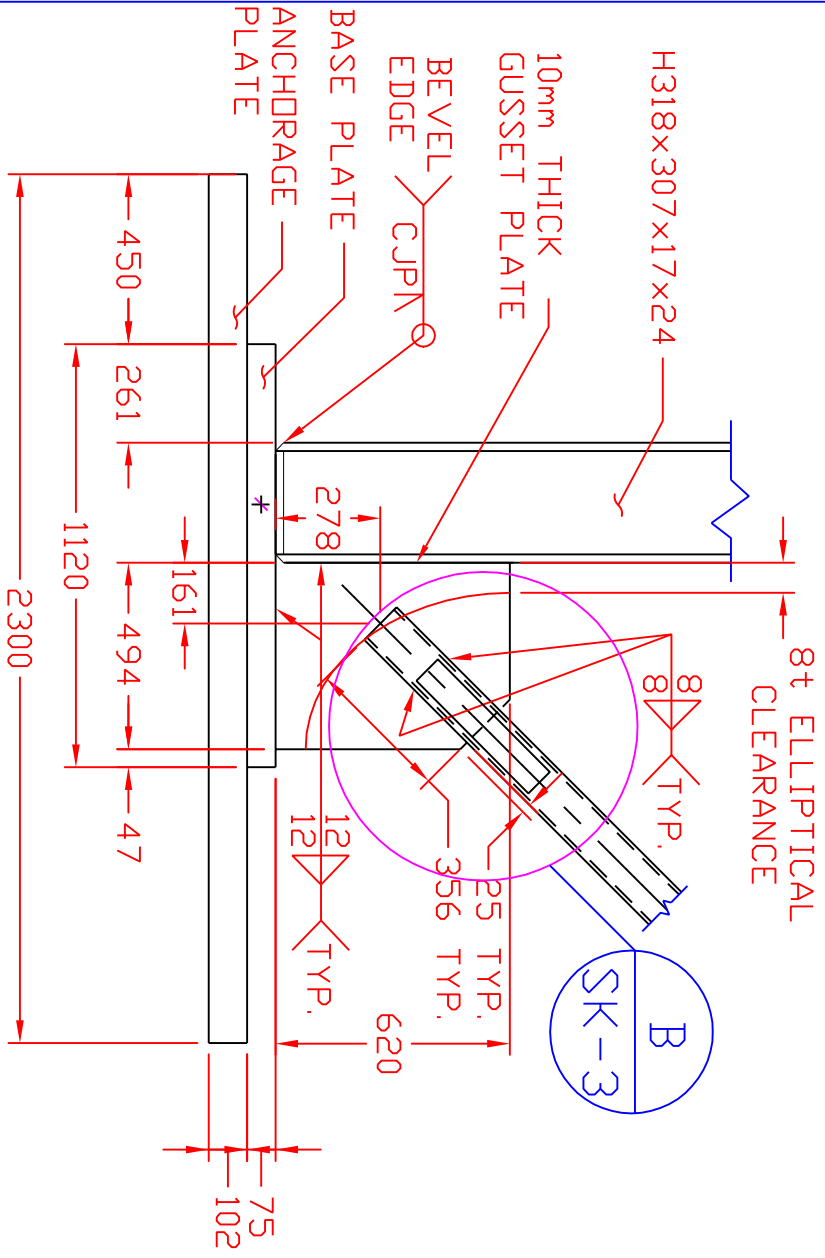
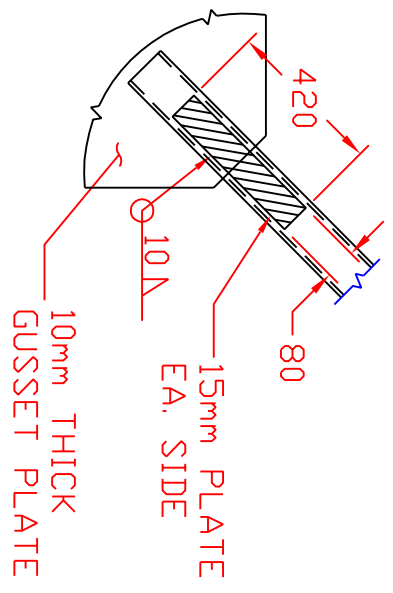


TYPICAL BRACE SLOT DETAIL
SCALE: 1mm = 20mm



B
SK-3



B
SK-3

NET SECTION REINF.
SCALE: 1mm = 20mm

A
SK-3

EAST BASE PLATE AND GUSSET DETAIL
SCALE: 1mm = 20mm

NOTES:
ALL PLATE STEEL A572 OR EQUIVALENT
ALL ROLLED SHAPES TO BE A992 OR EQUIVALENT
BRACE TO BE A500 B/C OR EQUIVALENT.
ALL WELDS TO SATISFY AISC DEMANDS CRITICAL AWS E718 OR EQUIVALENT

TCBF1 - TOMORROW'S CONCENTRIC BRACED FRAME 1	
NEES/SG NCREET BRACED FRAME TEST	
DRAWN BY: KAC	DATE: SEPTEMBER 7, 2007
DESIGNED BY: JAP	CONTACT: GROEDER@U.WASHINGTON.EDU
CHECKED BY: KAC	
DWG: SK-3	